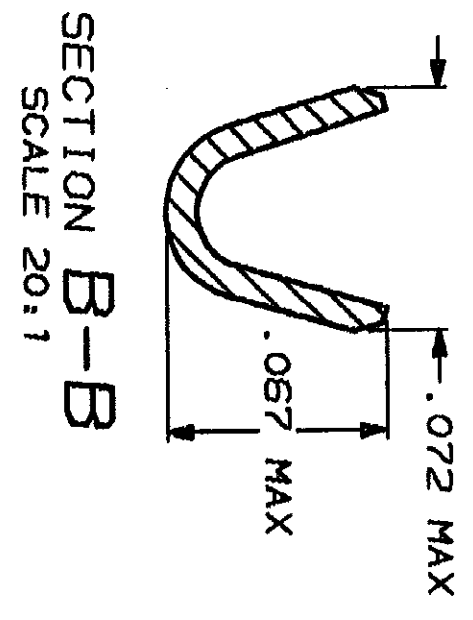
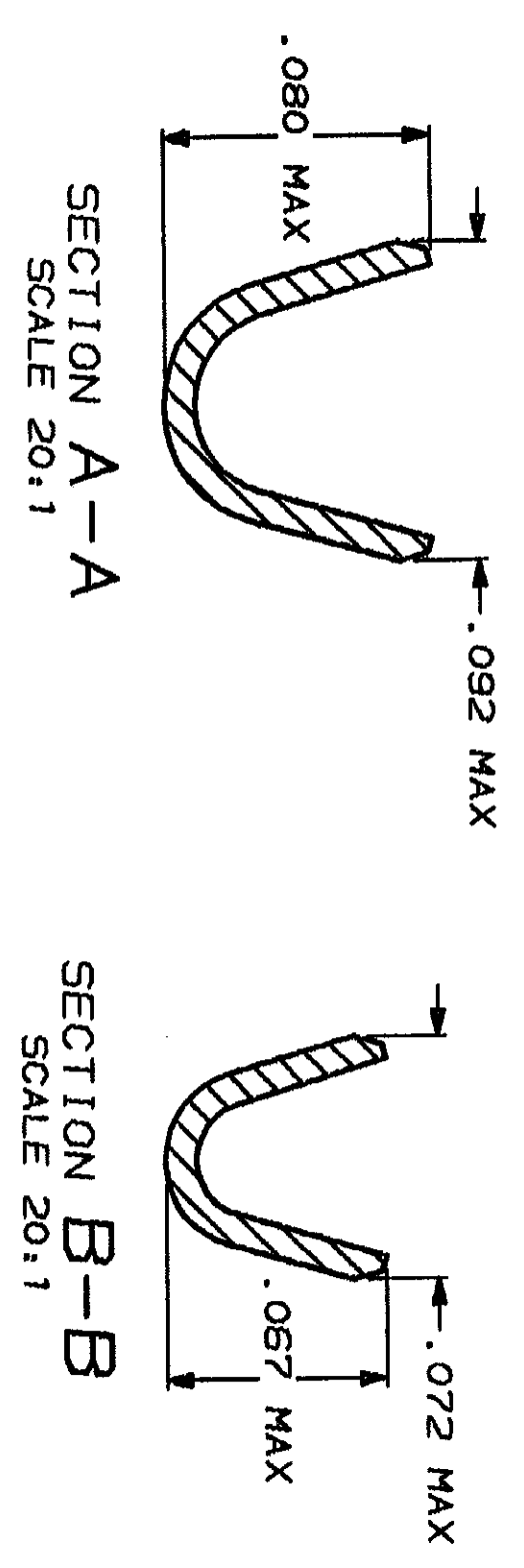
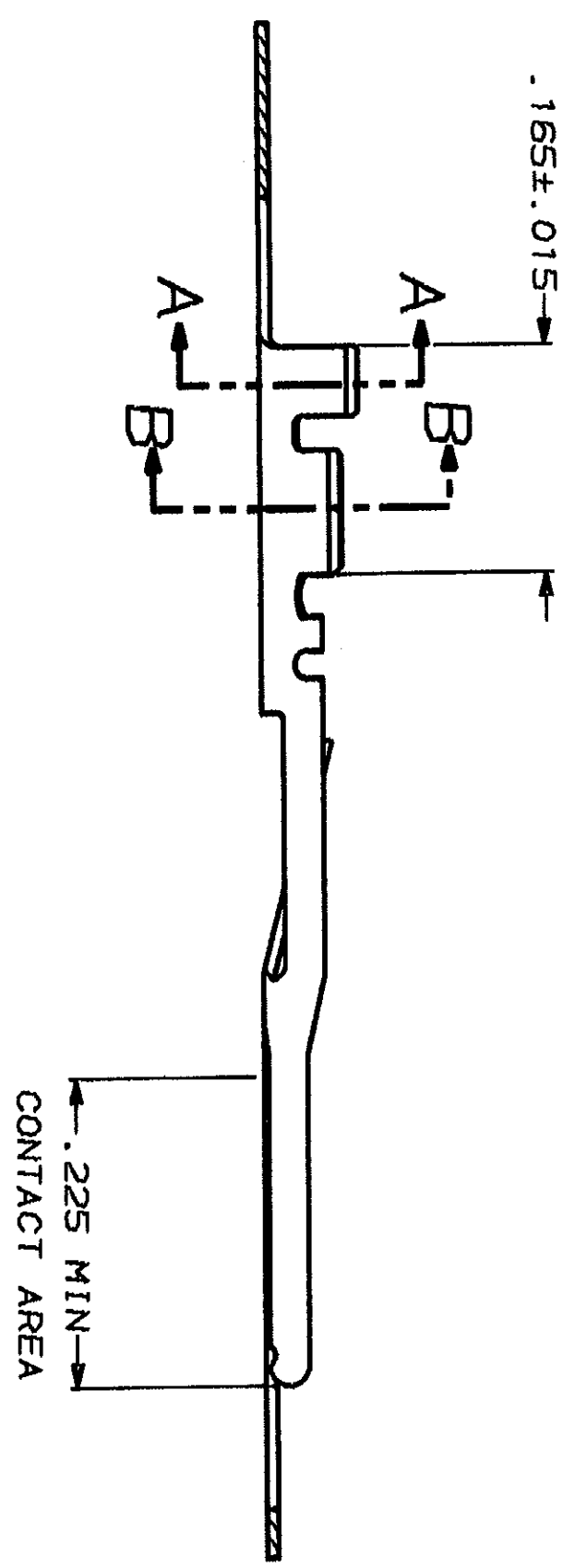
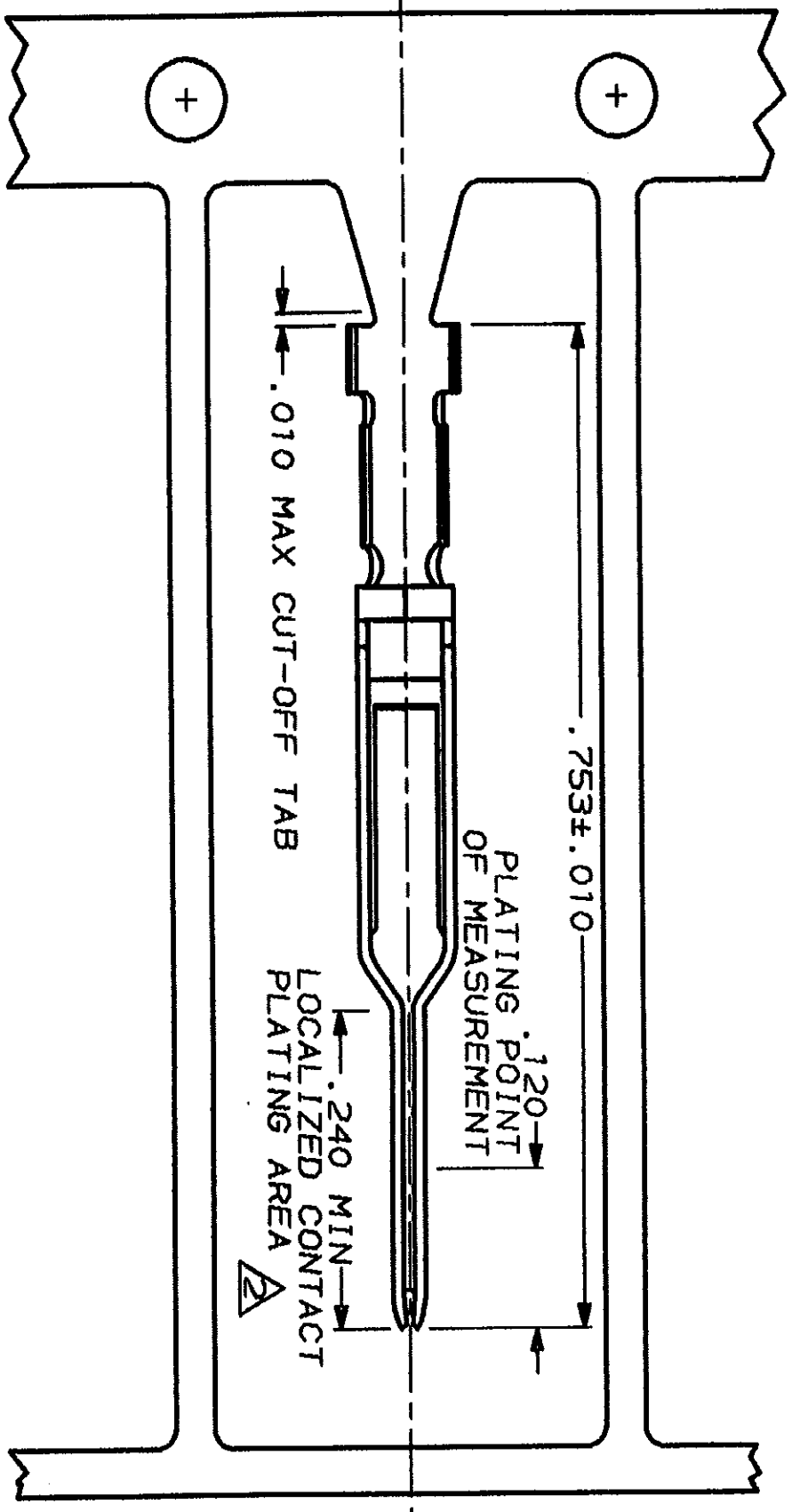


NO.	DATE	BY	DESCRIPTION
85	AR	39	

REV	DATE	BY	DESCRIPTION
H			REV/REDRAWN ECN 2274
J	11-01-88	KIH	REV PER ECN AR2719
K	4-3-90	DJA	REV PER ECN B03777

- △ FOR MINI APPLICATOR.
- △ FINISH: GOLD FLASH ALL OVER .000015 GOLD ON CONTACT AREA OVER .000050 MIN THK NICKEL OVER ENTIRE CONTACT.
- 3. FOR 22-24 AWG WIRE WITH AN INSULATION RANGE OF .040-.056 DIA.



DO NOT SCALE PRINT. UNLESS SPECIFIED DIMENSIONS IN INCHES TOLERANCES ON:		DR 6-27-89	J. GALLUCCI
1 P/LC DEC # .005		CHK 6-28-89	D. L. ROOKER
2 P/LC DEC # .005		APPD 6-29-89	G.D. MILLER
3 P/LC DEC # .005		APPD 6-29-89	M.T. PARKER
MATERIAL		PRODUCT SPEC	108-9024
PHOS. BRONZE		APPLICATION SPEC	114-16003
FINISH		WEIGHT	
SEE TABLE			

FINISH	86658-2	86656-2
LOOSE PIECE	PART NO.	PART NO.

AMP INCORPORATED
 Harrisburg, Pa. 17105

NAME: CONTACT, PIN, .025 SQ ROUND WIRE, .100φ, FFC

SIZE: C

FSCH NO: 00779

DRAWING NO: 86656

SCALE: 8:1

SHEET: 1 OF 1

CUSTOMER DRAWING

86656